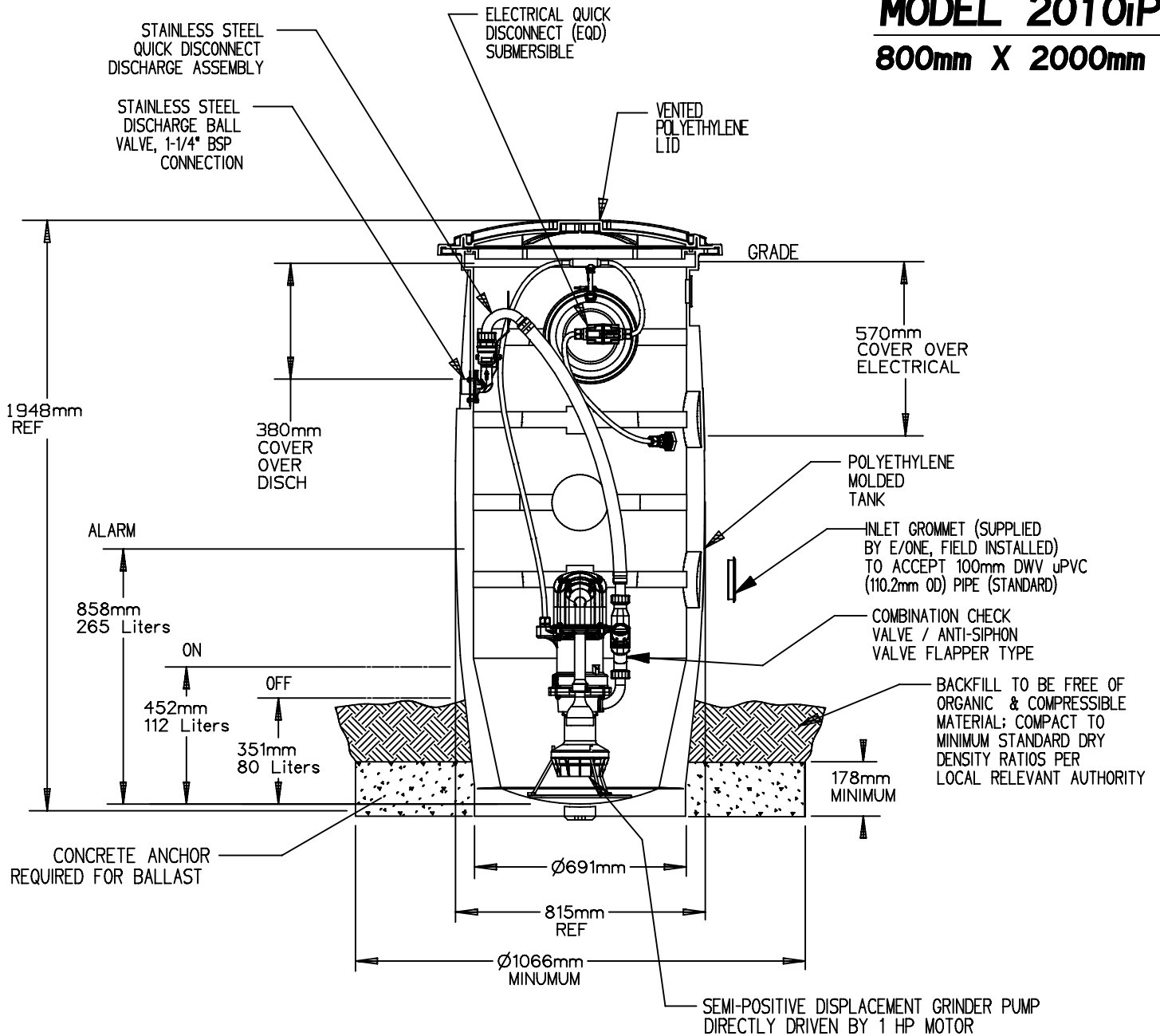



MODEL 2010iP

800mm X 2000mm



SPECIFICATIONS								2010iP - 800 x 2000				
BASIN	Diameter (mm)	Height (mm)	Weight (kg)	Total Capacity (l)	Capacity Above Alarm (l)	Ballast (m ³)	Inlet Pipe Size (mm)	JRB	PD	04/24/06	-	N/A
	800	2000	74	645	379	SEE DWG	100	DR BY	CHK'D	DATE	ISSUE	SCALE
PUMP	Pump (s)	Dimensions (mm)	Weight (kg)	Nominal Pump Rate @ 0m TDH (lps)	Nominal Pump Rate @ 20m TDH (lps)	Nominal Pump Rate @ 42m TDH (lps)	Discharge Size (mm)					
	Simplex (1)	330 X 762	47	.75	.63	.47	32					
ELECTRICAL	Voltage (VAC)	Phase	Cycle (Hz)	Supply Cable (m)	Alarm Panel	MODEL 2010iP DETAIL SHEET (800 X 2000)						
	240	Single	50	As Specified	Simplex (1)							
								PA2113P01				