

Aquaplus

ARJ Series Jet Aerators



Jet Aerators

**2 Year
Warranty!**

Aquaplus ARJ Series Jet Aerators mix water with low levels of oxygen transfer, making them ideal for re-circulation in sludge mixing applications.

Features

- Submersible motor, low noise, high efficiency
- The required shaft power hardly changes with fluctuations in water depth
- Self aspirating (no external air supply required)
- High performance impeller (efficient mixing)
- High efficiency oxygen dissolving
- Guide rail available for easy installation, maintenance and repair

Applications

- Aeration, pre-aeration and/or mixing in:
- Industrial waste water treatment plants
 - Sewage treatment plants
 - Effluent in agricultural industries
 - Prevention of sedimentation



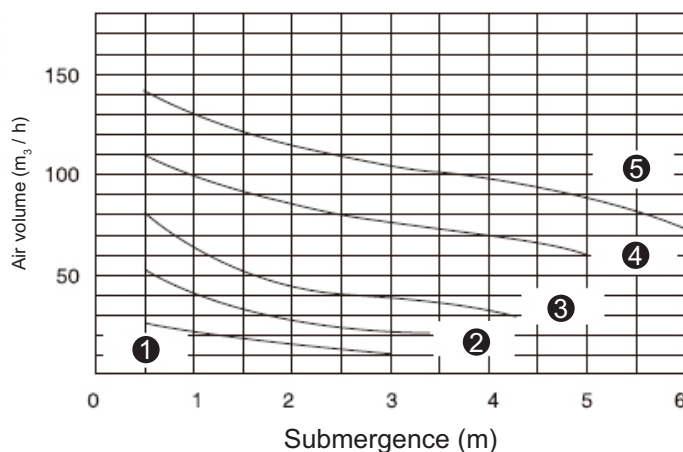
Specifications

Part Number	Discharge (kg O ² /h)	Power		Pole (P)	Max Solids (mm)	Air Capacity-Water Depth (m ³ /h-m)	Max Depth (m)	Dry Weight (kg)*
		Hp	kW					
ARJ-40-11-0.75T4-20	0.35 - 0.45	1	0.75	4	15.7 x 58	11 - 2	3.0	55 - 71
ARJ-40-11-1.5T4-20	1.0 - 1.2	2	1.5	4	15.7 x 58	22 - 3	3.0	81 - 121
ARJ-40-11-2.2T4-20	1.75 - 1.95	3	2.2	4	15.7 x 58	37 - 3	3.5	103 - 143
ARJ-50-11-3.7T4-20	3.5 - 3.95	5	3.7	4	19.5 x 70	75 - 3	4.0	141 - 201
ARJ-50-11-5.5T4-20	5.3 - 5.9	7.5	5.5	4	19.5 x 70	103 - 3	5.0	182 - 242

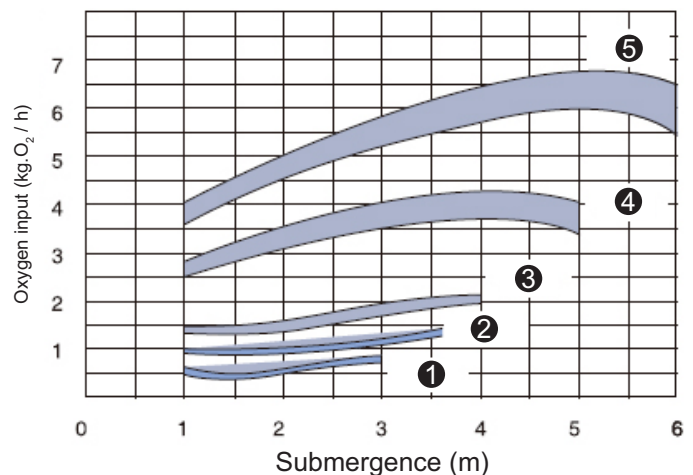
*Weight varies based on guide rail or free standing arrangement.

Performance Curves

Air Emission Volume/Water Depth



Oxygen Transfer/Water Depth



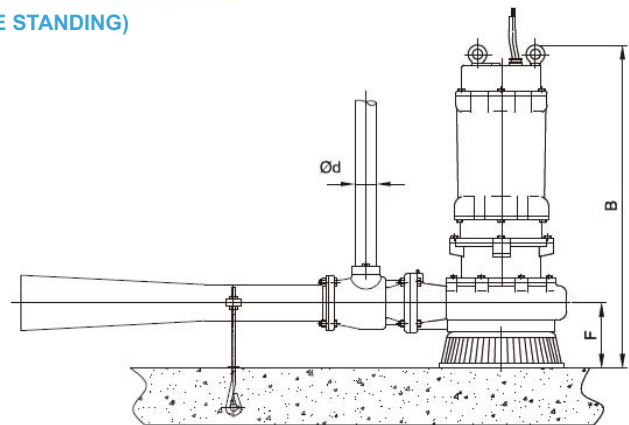
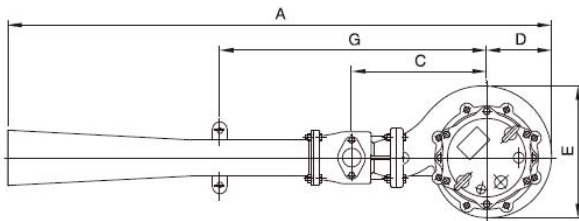
IMPORTANT: Pump curves are guidelines only. Before making a product selection please contact your local Aquaplus pump distributor for a detailed pump curve of each model.

Legend:

- ① ARJ-40-11-0.75T4-20
- ② ARJ-40-11-1.5T4-20
- ③ ARJ-40-11-2.2T4-20
- ④ ARJ-50-11-3.7T4-20
- ⑤ ARJ-50-11-5.5T4-20

Dimensions

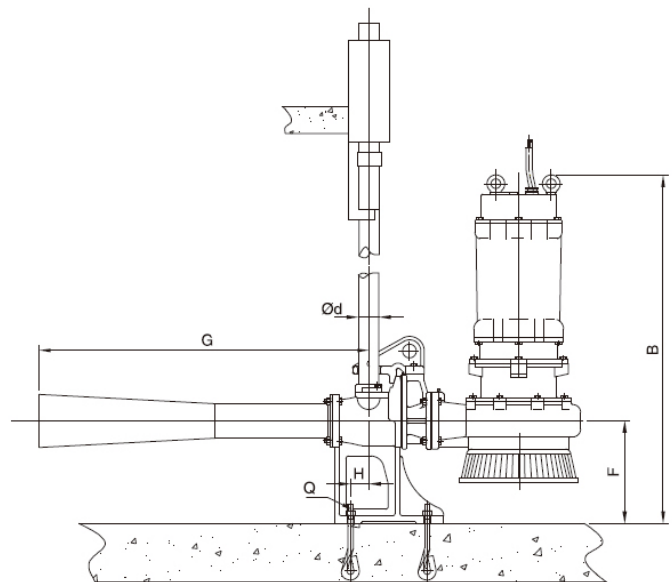
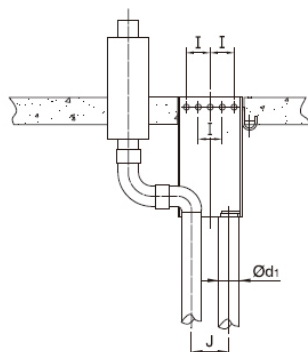
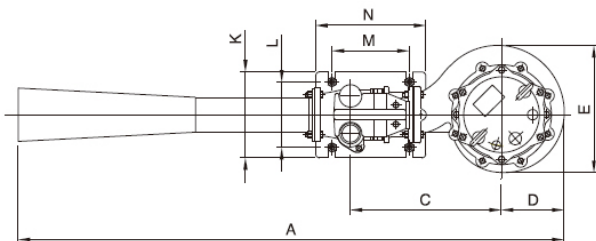
DIMENSIONS (FREE STANDING)



Part Number	Dimensions (mm)								Weight (kg)*
	A	B	C	D	E	F	G	Ød	
ARJ-40-11-0.75T4-20	1099	597	246	135	270	129	556	Ø32	55
ARJ-40-11-1.5T4-20	1343	642	319	153	308	145	669	Ø40	81
ARJ-40-11-2.2T4-20	1343	719	319	153	308	145	669	Ø40	103
ARJ-50-11-3.7T4-20	1526	770	379	182	376	182	749	Ø50	141
ARJ-50-11-5.5T4-20	1526	831	379	182	376	182	749	Ø50	182

*Weight varies based on guide rail or free standing arrangement.

DIMENSIONS (GUIDE RAIL MOUNTED)



Part Number	Dimensions (mm)																Weight (kg)*	
	A	B	C	D	E	F	G	H	I	J	K	L	M	N	Q	Ød		Ød1
ARJ-40-11-0.75T4-20	1099	718	266	135	270	250	698	34.5	100	70	180	140	155	220	M12	Ø32	Ø40	71
ARJ-40-11-1.5T4-20	1384	777	360	153	308	280	871	47	70	90	220	170	190	260	M16	Ø40	Ø40	121
ARJ-40-11-2.2T4-20	1384	854	360	153	308	280	871	47	70	90	220	170	190	260	M16	Ø40	Ø40	143
ARJ-50-11-3.7T4-20	1586	888	439	182	376	300	965	53.5	70	110	250	190	225	320	M16	Ø50	Ø50	201
ARJ-50-11-5.5T4-20	1586	949	439	182	376	300	965	53.5	70	110	250	190	225	320	M16	Ø50	Ø50	242

*Weight varies based on guide rail or free standing arrangement.



AVAILABLE FROM

For information on these products or for any specialised requirements
please contact your local Aquaplus distributor or visit our
website at www.aquapluspumps.com.au