

Aquaplus

**SD Series
Heavy Duty Submersible
Dewatering Pumps
240 V – 415 V**



**2 Year
Warranty!**

Dewatering Pumps

Heavy Duty Submersible Dewatering Pumps 240 V

Aquaplus SD 240 V pumps are small robust dewatering pumps ideal for professional use in applications such as construction sites and site drainage. SD pumps are designed for continuous unattended operation. Manual and automatic (with float) versions are available.

Features

- Single phase 240 V pump
- Small robust pump
- Abrasion resistant pump casing
- Automatic motor protection
- Double mechanical seal in oil bath
- Light weight aluminium frame

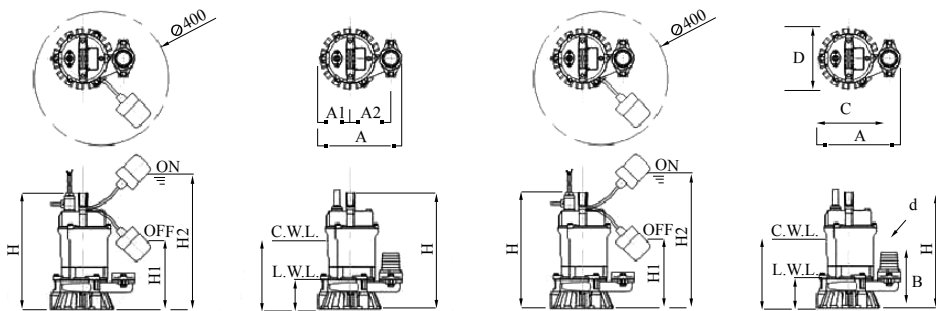
Applications

- Construction site dewatering
- Cellar or basement drainage
- Storm water drainage
- Decorative water features and fountains

Specifications

Model	Discharge (mm)	Power (kW)	Voltage (V)	Cable (m)	Max flow (L/s)	Shut-off head (m)	Weight (kg)	Max solid (mm)	Rated current A (240 V)
Manual									
SD-50-60-.4S2-10MP-V	50	0.4	240	10	3.3	12	12	7	2.6
SD-50-60-.75S2-10MP-V	50/80	0.75	240	10	5	18	19	7	4.6
Automatic									
SD-50-60-.4S2-10AP-V	50	0.4	240	10	3.3	12	12	7	2.6
SD-50-60-.75S2-10AP-V	50/80	0.75	240	10	5	18	19	7	4.6

Dimensions

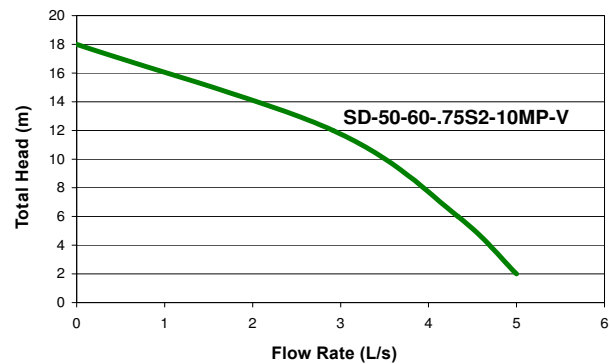
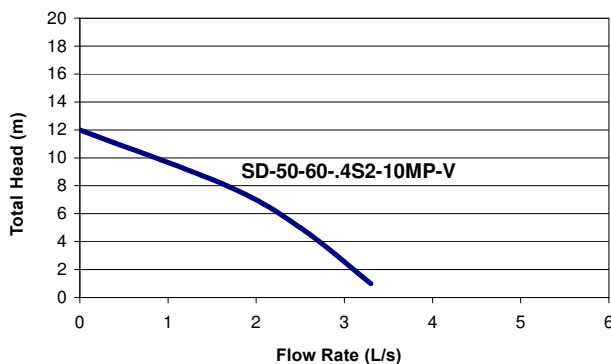


Model	Dimensions (mm)							
	D	H	A	B	C	H1	H2	d
Manual								
SD-50-60-.4S2-10MP-V	185	331	241	170	207	n/a	n/a	50
SD-50-60-.75S2-10MP-V	184	388	285	217	233	n/a	n/a	80
Automatic								
SD-50-60-.4S2-10AP-V	185	331	241	170	207	170	400	50
SD-50-60-.75S2-10AP-V	184	388	285	217	233	170	400	80

C.W.L = 170mm

L.W.L = 90mm

Performance Curve



All content is subject to change without notice.

Heavy Duty Submersible Dewatering Drainage Pumps 415 V

Aquaplug SD 415 V pumps are used extensively in applications such as construction dewatering and sump drainage. SD pumps are designed for continuous unattended operation.

Features

- Cast iron casing, ductile iron suction cover and chrome iron impeller
- Built in oil lifter enhances sealing life and performance
- Dual silicon carbide mechanical seals in an oil bath
- Pump can run in horizontal and vertical configurations
- Pump can run in “snore mode”

Applications

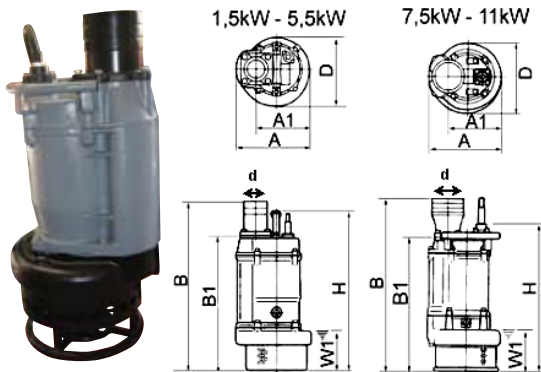
- General construction work
- Civil engineering
- Deep well applications

Specifications

Model	Discharge (mm)	Power (kW)	Voltage (V)	Cable (m)	Max flow (L/s)	Shut-off head (m)	Weight (kg)	Max solid (mm)	Rated current A (415 V)
SD-50-52-1.5T2-20M-O	50	1.5	415	20	6.6	22	30	8.5	3.3
SD-80-52-1.5T2-20M-O	80	1.5	415	20	11.2	14	30	8.5	3.3
SD-50-52-2.2T2-20M-O	50	2.2	415	20	8.2	26	34	8.5	5.6
SD-80-52-2.2T2-20M-O	80	2.2	415	20	16	18	34	8.5	5.6
SD-50-52-3.7T2-20M-O	50	3.7	415	20	7.5	36.5	56	8.5	7.3
SD-80-52-3.7T2-20M-O	80	3.7	415	20	16	27	56	8.5	7.3
SD-100-52-3.7T2-20M-O	100	3.7	415	20	24.1	18	56	8.5	7.3
SD-80-52-5.5T2-20M-O	80	5.5	415	20	22	33	71	8.5	10.5
SD-100-52-5.5T2-20M-O	100	5.5	415	20	30.5	23	71	8.5	10.5
SD-100-52-7.5T2-20M-O	100	7.5	415	20	21.4	39	96	8.5	13.8
SD-150-52-7.5T2-20M-O	150	7.5	415	20	36	33	98	20	13.8
SD-100-52-11T2-20M-O	100	11	415	20	24.1	47	132	8.5	20.5
SD-150-52-11T2-20M-O	150	11	415	20	40	32.5	135	20	20.5
Agitator									
SDA-80-52-4.0T2-20M-O^	80	4	415	20	25	15	105	30	9.5
SDA-100-52-6.0T2-20M-O^	100	6	415	20	39	17	145	30	13
SDA-150-52-9.0T2-20M-O^	150	9	415	20	53	23	170	30	18

^ Agitator versions (SDA) available for light slurry applications such as pumping concrete, bentonite and pulp.

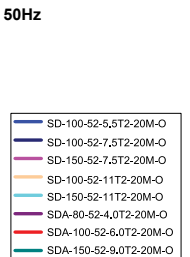
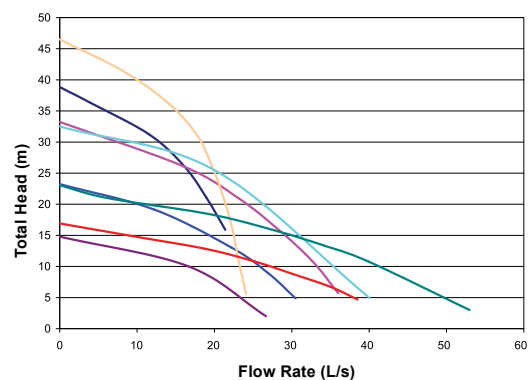
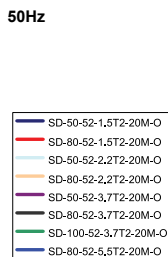
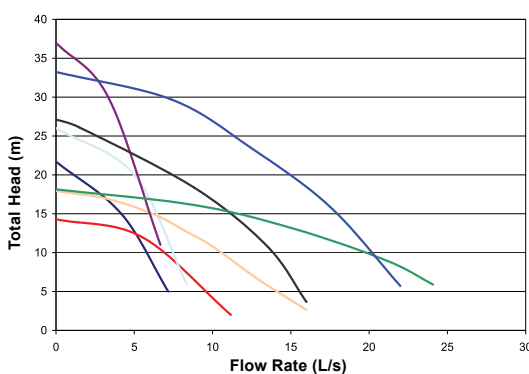
Dimensions



Model	Dimensions (mm)							
	D	H	A	A1	B	B1	W1	d
SD-50-52-1.5T2-20M-O	218	478	235	173	509	401	120	50
SD-80-52-1.5T2-20M-O	218	478	235	173	509	401	120	80
SD-50-52-2.2T2-20M-O	218	511	237	173	537	432	123	50
SD-80-52-2.2T2-20M-O	218	511	237	173	537	432	123	80
SD-50-52-3.7T2-20M-O	252	637	283	208	627	504	150	50
SD-80-52-3.7T2-20M-O	258	630	287	208	627	507	150	80
SD-100-52-3.7T2-20M-O	258	630	287	208	642	507	150	100
SD-80-52-5.5T2-20M-O	257	610	295	235	673	554	150	80
SD-100-52-5.5T2-20M-O	257	610	295	235	693	554	150	100
SD-100-52-7.5T2-20M-O	310	687	332	240	764	626	190	100
SD-150-52-7.5T2-20M-O	310	687	332	240	790	626	190	150
SD-100-52-11T2-20M-O	330	705	363	260	816	650	185	100
SD-150-52-11T2-20M-O	330	705	363	260	826	650	185	150
SDA-80-52-4.0T2-20M-O^	326	766	350	260	786	666	250	80
SDA-100-52-6.0T2-20M-O^	373	720	415	305	823	662	263	100
SDA-150-52-9.0T2-20M-O^	400	768	434	324	872	712	262	150

^ Agitator versions (SDA) available for light slurry applications such as pumping concrete, bentonite and pulp.

Performance Curve



All content is subject to change without notice.

Aquaplus Product Range

ESD Series – End Suction DIN (24255) Pumps

ESI Series – End Suction ISO (2585) Pumps

SP Series – Self Priming Pumps

SD Series – Submersible Dewatering Pumps

SS Series – Submersible Sewerage Pumps

ARJ Series – Aerators (Jet)

ARS Series – Aerators (Submersible)

AD Series – Air Diaphragm Pumps

FRM Series – Flexible Rising Main (Borehole Pump Hose)

MS Series – Mechanical Seals (Single Spring & Cartridge)

We are also able to provide Progressive Cavity, Peristaltic Pumps, Split Case Pumps and Magnetic Drive Pumps.

The logo for Aquaplus, featuring the word "Aquaplus" in a stylized, blue, italicized font with a wave-like graphic element above the 'A'.

AVAILABLE FROM

For information on these products or for any specialised requirements please contact your local Aquaplus distributor or visit our website at www.aquapluspumps.com.au