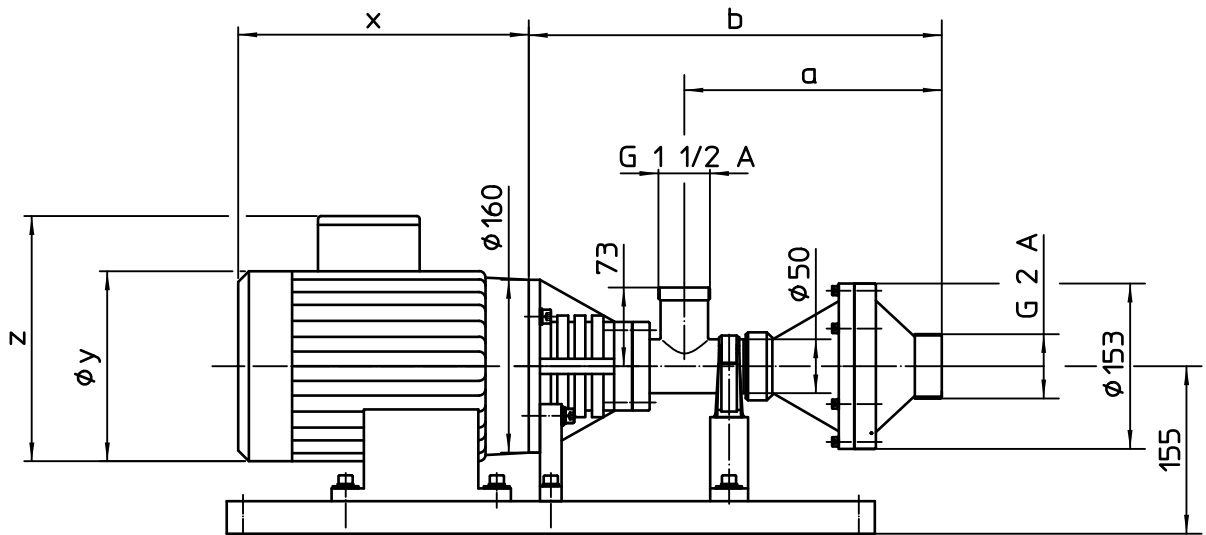


	F 620 S-15 TR	F 620 S-30 TR
a	225	236
b	370	381

Motor Moteur		kW
n=		min ⁻¹
x=		mm
Øy=		mm
z=		mm



Konsole PP
 Base plate PP
 Console PP

