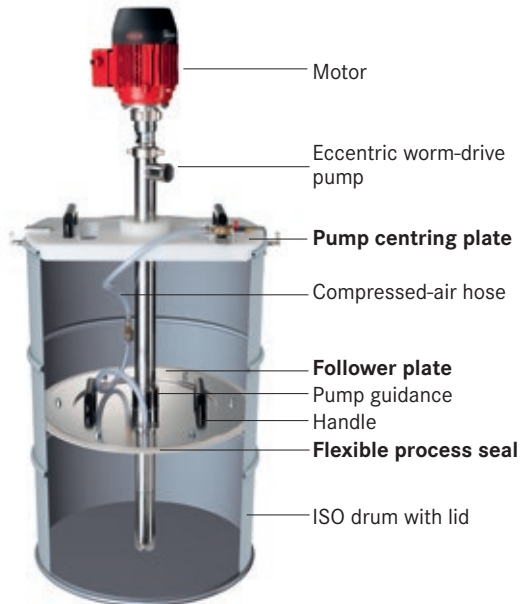


### VISCOFLUX lite



#### Advantages / Characteristics

- ▶ For transfer of higher-viscosity media which are just capable of flowing
- ▶ For drums with an inner diameter of 571.5 mm and sea container drums
- ▶ Less than 1 % residue in the drum
- ▶ Consisting of pump centring plate, follower plate with process seal
- ▶ Requires little space
- ▶ Mobile for easy transport to the drum
- ▶ Easy to assemble due to only a few components
- ▶ Follower plate for air-tight sealing of the medium
- ▶ For the use with FLUX eccentric worm-drive pumps
- ▶ Versions available for the use in hazardous areas zone 0/1



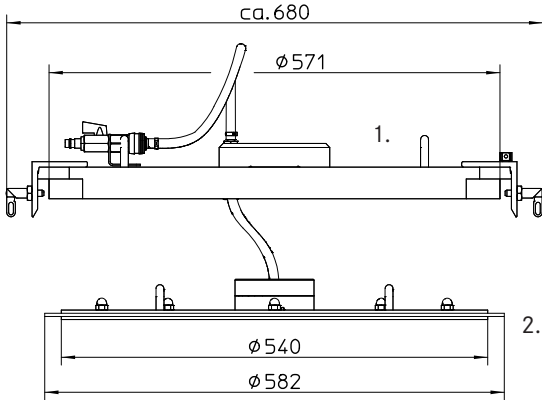
Technical data/version	VISCOFLUX lite	VISCOFLUX lite Ex
For drums	200 L, ISO drums	200 L, ISO drums, sea container drums
Dimensions	Inner Ø 571,5 mm	Inner Ø 571,5 mm, top Ø 540 mm, bottom Ø 571
Components	Pump centring plate, follower plate + process seal	
Ex-marking	-	II 1 G IIB TX
Air-connection	Quick coupling type 26 (6-8 bar)	
<b>Materials</b>		
Pump centring plate	PE	PE conductive
Handles	Duroplast FS 31	Stainless steel 316 Ti
Compressed-air hose	PVC	PA conductive
Follower plate	Stainless steel 1.4404/316 Ti (6 hole pattern)	Stainless steel 1.4404/316 Ti Pump guidance PE conductive (5 hole pattern)
Process seal	NBR white / NBR black / FKM black 6 hole pattern, LK 460 mm	FKM static dissipative, black NBR conductive, black EPDM conductive, black 5 hole pattern, LK 460 mm
<b>Weight</b>		
Pump centring plate	Approx. 6.5 kg	Approx. 7.5 kg
Follower plate with process seal	Approx. 13 kg	Approx. 13.6 kg
<b>Eccentric worm-drive pumps</b>		
Type	F 550 GS6/GS/S	F 550 GS6X/GSX/SX
With outer diameter	54 mm	50 mm
Delivery rate max. (dependent on pump, motor, medium)	50 l/min	30 l/min
Immersion length	1000 mm	



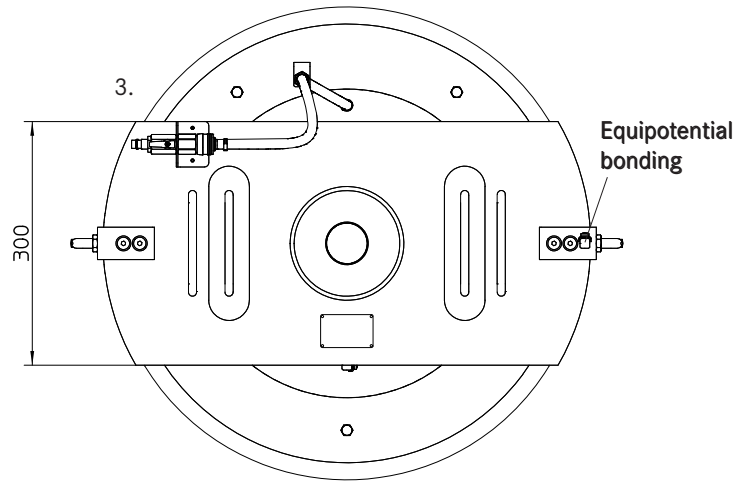
# Dimensions

## VISCOFLUX lite

### Dimensional drawings [mm]



- 1. Pump centring plate
- 2. Follower plate with process seal  
Ex version with equipotential bonding



- 3. Pump centring plate  
Ex version with equipotential bonding

### System dimensions



Required room height for erection:  
Approx. 2200 mm, without motor

### VISCOFLUX lite Ex



System height assembled  
(dependent on pump version and motor)

# Part numbers

## VISCOFLUX lite

### VISCOFLUX lite

Description	Part no.
VISCOFLUX lite (Pump centring plate + follower plate)	10-001 22 310
Process seal NBR white	10-925 89 005
Process seal NBR black	10-925 89 006
Process seal FKM black	10-925 89 007

#### Recommended pumps for VISCOFLUX lite

Eccentric worm-drive pumps type F 550, **with outer diameter 54 mm**

in stainless steel, with G 1 ½ A discharge connection, open mechanical seal, seal material FKM, torsion shaft, immersion length 1000 mm (without hose connection, stator and stator housing)

Version	Description	Part no.
Version with planetary gear ratio 1 : 6.75	F 550 GS6-54/26 TW	10-550 23 301
Version with planetary gear ratio 1 : 15.9	F 550 GS-54/26 TW	10-550 25 676
Version with bearing flange	F 550 S-54/26 TW	10-550 25 652

#### Compatible stators

Version	Part no.
NBR black (incl. stator housing)	10-550 25 620
NBR white (incl. stator housing)	10-550 25 621
FKM black (incl. stator housing)	10-550 25 619

#### Compatible motors

For pump version	Description	Technical Data	Part no.
Version with planetary gear ratio 1 : 6.75	Three-phase motor F 403/2	0.55 kW, 2850 rpm	10-403 01 021
Version with planetary gear ratio 1 : 15.9	Commutator motor F 457	800 Watt, with low-volt protection	10-457 01 039
Version with bearing flange	Three-phase motor	0.75 kW, 930 rpm	10-001 01 030

Other pump versions, motors and accessories on request

# Part numbers

## VISCOFLUX lite Ex

VISCOFLUX lite Ex



Description	ISO drums	Sea container drums
	Part no.	Part no.
VISCOFLUX lite Ex (Pump centring plate + follower plate)	10-001 22 370	10-001 22 400
Process seal FKM static dissipative	10-925 89 048	10-925 89 054
Process seal NBR, conductive	10-925 89 049	10-925 89 055
Process seal EPDM, conductive	10-925 89 050	10-925 89 056
Process seal consists of	Process seal Ø 582 x 4 O-Ring Ø 50 x 4	Process seal Ø 582 x 4 Process seal Ø 540 x 4 O-Ring Ø 50 x 4

### Recommended pumps for VISCOFLUX lite Ex

Eccentric worm-drive pumps type F 550, with outer diameter 50 mm

in stainless steel, with G 1 ½ A discharge connection, open mechanical seal, seal material FKM, torsion shaft, immersion length 1000 mm, incl. stator (PTFE black) and stator housing (without hose connection)

Version	Description	Ex-marking	Part no.
Version with planetary gear ratio 1 : 6.75	F 550 GS6XB-50/21 TW	II 1/2 G IIB T4	10-550 23 221
Version with planetary gear ratio 1 : 15.9	F 550 GSXB-50/21 TW	II 1/2 G IIB T4	10-550 23 411
Version with bearing flange	F 550 SXB-50/21 TW	II 1/2 G IIB T4	10-550 23 401

### Compatible motors

For pump version	Description	Technical data	Ex-marking	Part no.
Version with planetary gear ratio 1 : 6.75	Three-phase motor F 403/2 Ex	0.75 kW, 2850 rpm	II 2 G EEx e II T3	10-403 01 019
Version with planetary gear ratio 1 : 15.9	Commutator motor F 460-1 Ex	700 Watt, with low-volt protection	II 2 G Ex d e IIC T6 Gb	10-460 01 004
Version with bearing flange	Three-phase motor	0.8 kW, 930 rpm	II 2 G Ex e II T4	10-001 01 066

### Necessary accessory

Description	Cable cross-section	Length	Part no.
Earth ground wire with grounding clamp in stainless steel (5 pieces are required for the whole system)	3 mm <sup>2</sup>	4 m	10-931 90 023

Other pump versions, motors and accessories on request