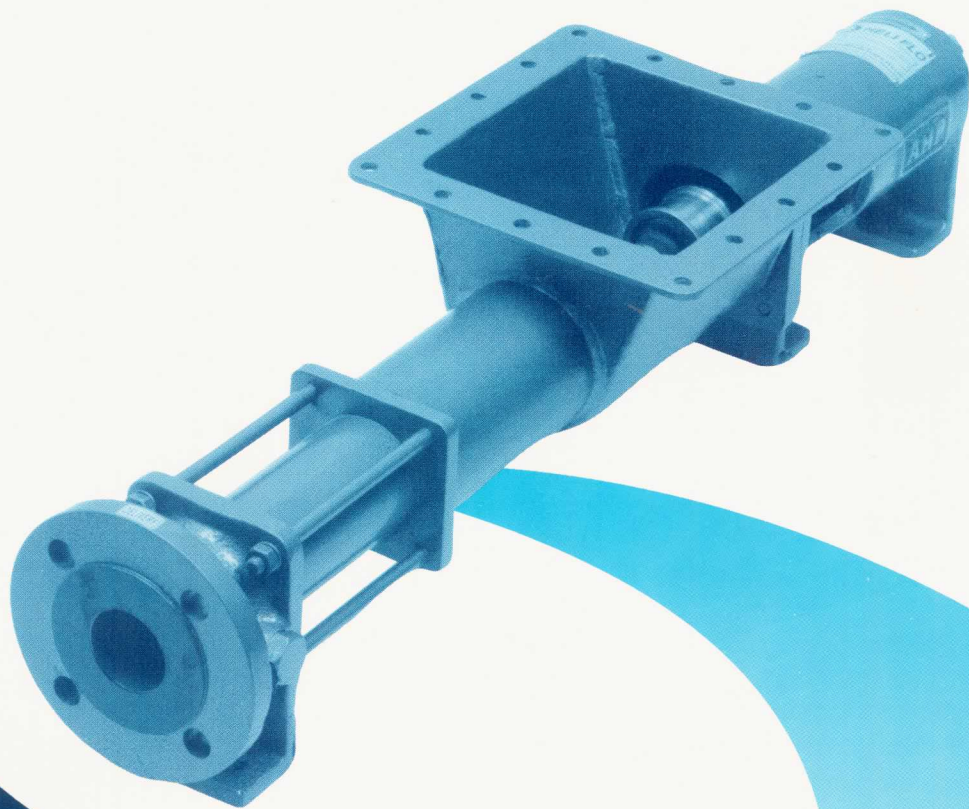
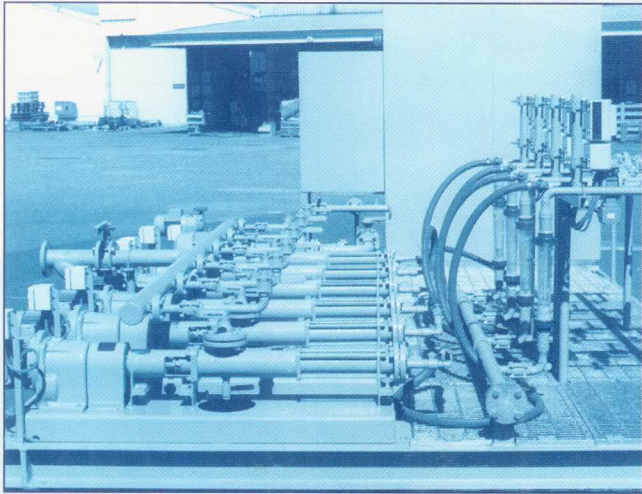


Caquaplus

**Series Heliflo
Helical Rotor Pumps**



PC series pumps offer five star quality

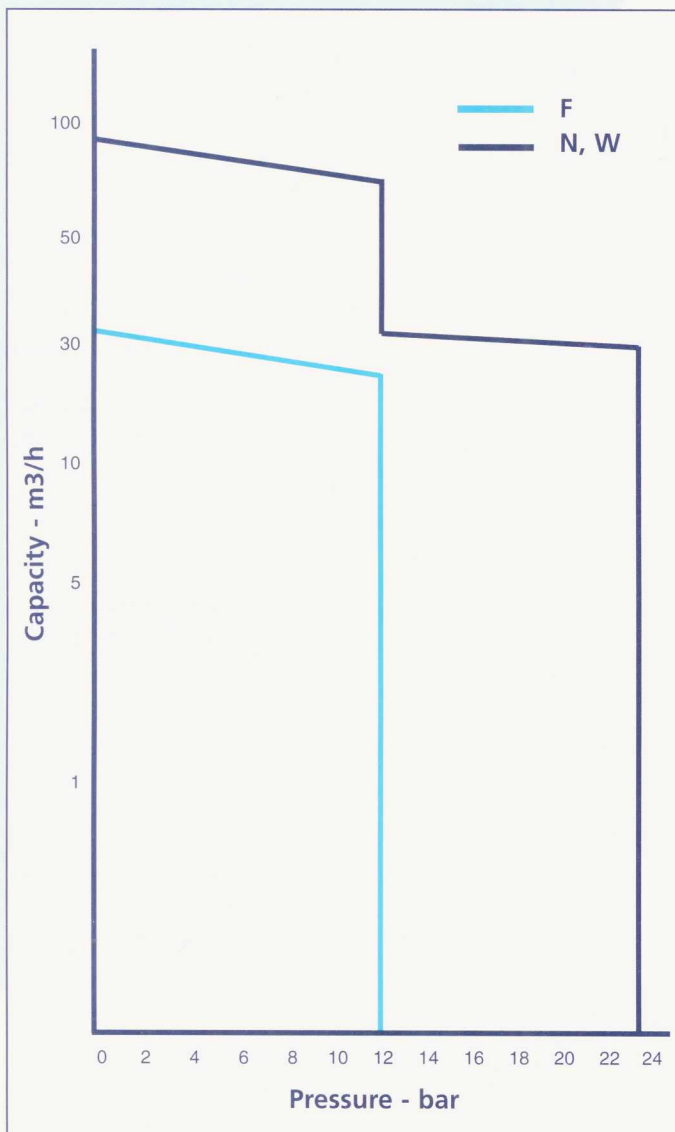


The Aquaplus Heliflo range of helical rotor pumps is available in a range of versions, sizes and materials to suit a very wide range of applications. Heliflo pumps can pump almost anything from water and shear-sensitive fluids to viscous, corrosive, abrasive and solids-laden fluids. Our years of experience in supplying helical rotor pumps into varied industries enables us to identify the most appropriate pump for the application. We promise a quality product at a competitive price.

Heliflo series pumps come in the moulded to metal stator and the free moulded stator design. Couple this with three versions and a range of material options and Heliflo pumps have the ability to meet the requirements of almost all industrial applications.

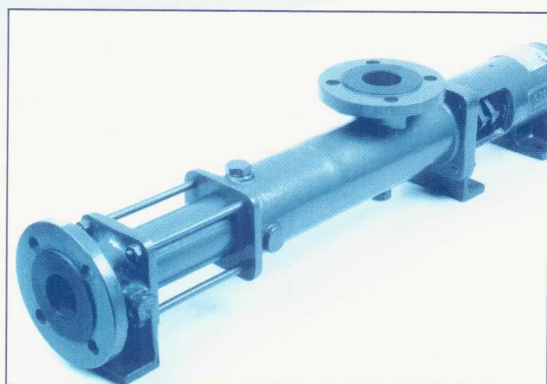
MTP's Five-Star approach is your assurance of service, from the initial enquiry through to the final supply and beyond. Our investment in CAD design capabilities and our in house fabrication shop enables us to custom design and build to suit your specific requirements. Technical advice is always available from our trained staff and we carry a large inventory of spare parts in stock which can be delivered quickly from any one of our offices located nation wide. It's just a part of our commitment to providing you, the customer, with the standard of service and product you deserve.

Performance Guide



The Pumping Principle

The operation of the Heliflo Pump is simple in concept yet complex in design. In essence, a single helix metal rotor rotates eccentrically within a double helix resilient stator of twice the pitch length of the rotor. As the rotor rotates within the stator, moving cavities are formed 180° apart which progressively move from the suction to the discharge end of the pump. The continuous seal between the rotor and the stator keeps the fluid moving steadily and allows even the most sensitive of products to be transported very gently with little or no damage. Equally, high abrasive products can be transported in a similar fashion with minimal wear to the pump. Product is transported smoothly, without pulsation and in direct proportion to the speed of the pump.



Industrial N Range

The industrial N range is the ideal pump for arduous and demanding applications. Made of heavy duty construction and utilising a solid shaft with double sealed universal joints the pumps offer high reliability and long service life. Standard pumps are designed to work against differential pressure of up to 24 bars.

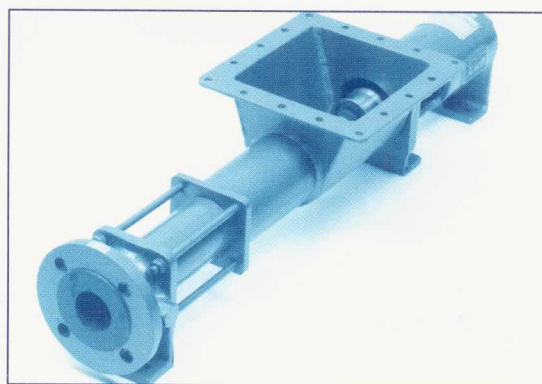
| Model | N 01 | N 02 | N 03 | N 04 | N 05 | N 06 | N 07 | N 08 | N 09 | N 10 |
|---------------------------------|------|------|------|------|------|------|------|------|------|------|
| Max Capacity m ³ /hr | 1.3 | 2.9 | 10.0 | 15.2 | 22.8 | 35.0 | 48.0 | 61.5 | 86.0 | 95.0 |
| Max Pressure bars | 9 | 24 | 24 | 24 | 24 | 24 | 12 | 12 | 12 | 12 |

Widethroat W Range

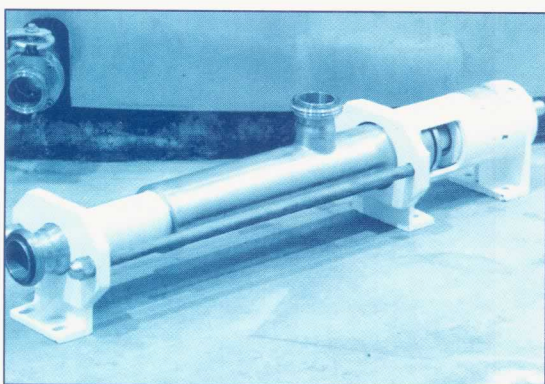
The widethroat W range is designed to handle highly viscous fluids with viscosities up to 1,000,000 cp.

It has a standard open throat hopper and an auger assembly which steadily conveys heavy material from the open throat to the rotor/stator elements.

The pumps are run at relatively low speeds which facilitates handling of difficult to flow and shear sensitive products with minimal damage.



| Model | W 01 | W 02 | W 03 | W 04 | W 05 | W 06 | W 07 | W 08 | W 09 | W 10 |
|---------------------------------|------|------|------|------|------|------|------|------|------|------|
| Max Capacity m ³ /hr | 1.3 | 2.9 | 10.0 | 15.2 | 22.8 | 35.0 | 48.0 | 61.5 | 86.0 | 95.0 |
| Max Pressure bars | 9 | 24 | 24 | 24 | 24 | 24 | 12 | 12 | 12 | 12 |



Hygienic F Range

The hygienic F range of pumps is specifically developed for the food, pharmaceutical and hygienic industries where product integrity is critical. All metallic parts in contact with the fluid are in smooth finish stainless steel. The pump is designed to eliminate any retaining pockets which can cause product contamination. All sizes are available with CIP options. The pumps have open universal joints for fluids having good lubricating properties, while for non-lubricating fluids the pumps are supplied with fail-safe double sealed universal joints packed with non toxic lubricant.

| Model | F 01 | F 02 | F 03 | F 04 | F 05 | F 06 |
|---------------------------------|------|------|------|------|------|------|
| Max Capacity m ³ /hr | 1.3 | 2.9 | 10.0 | 15.2 | 22.8 | 35.0 |
| Max Pressure bars | 9 | 24 | 24 | 24 | 24 | 12 |



Heliflo Pumps offer superior performance

ROTORS

Standard models have 316 Stainless Steel, 304 Stainless Steel or Tool Steel, hard chrome plated where applicable for greater abrasion resistance.

STATORS

Available in a variety of stator materials
- Natural, Nitrile, EPDM, Hypalon, Viton, etc.

CASTINGS

Wettable pump body parts are available in Cast Iron or Stainless Steel 316.

UNIVERSAL JOINT

Rugged, hardened pin/bush type. Universal joint with primary and secondary sealing and lubricated for long life.

DRIVE SHAFTS/COUPLING RODS

Precision machined from high quality Alloy Steel or Stainless Steel 316, chrome plated under gland.

STUFFING BOX

Asbestos free graphite packing is standard for all industrial series. Flushing arrangements, Lantern Rings or Mechanical Seals are optionally available.

PERFORMANCE BENEFITS

- Capacity is proportional to speed
- Head independent of pump speed
- Self Priming
- Low NPSH requirement
- Can handle high viscosity materials
- Handles solids in suspension or fluids containing high percentage of solids
- Minimal damage to shear sensitive products
- Reversible
- Non-pulsating flow

Industries and Applications

WATER AND WASTE WATER TREATMENT

Sludges
Dosing
Floculants
Water
Industrial Effluents
Sewage

FOOD AND BEVERAGE

Sugar Syrup
Edible Oils
Confectionery
Chocolates
Dairy
Fruit Pulp & Juices
Winery

MINING AND CONSTRUCTION

Dewatering
Drilling Mud
Mineral Processing
Sludge
Explosive Slurries
Grouting

PAPER AND CERAMICS

Paper
Latex
Ceramic/Clay Slip
Chemical Dosing
Starch
Paper Pulp & Cellulose

COSMETICS AND PHARMACEUTICALS

Lotions/Creams
Shampoo
Glucose
Medical Formulations
Toothpaste
Soap & Detergents

CHEMICALS

Fuel Oils
Organics
Dyes/Resins
Emulsions

MARINE

Fuel
Transfer
Seawater
Bilge Pumping
Oil Rig



AVAILABLE FROM

MALCOLM THOMPSON PUMPS P/L

1800 733 687

www.mtp.com.au