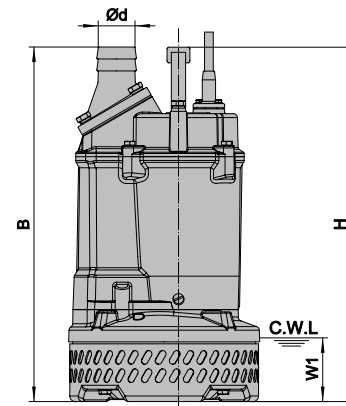
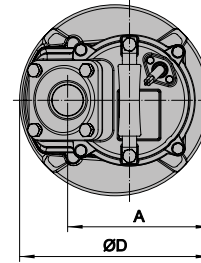
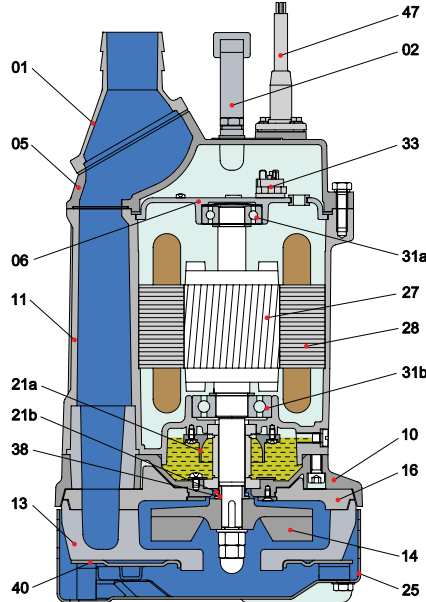


## Dimensions

### SDV Series



C.W.L.:Continuous running water level

Item No.	Part Name	Material	Item No.	Part Name	Material
01	Hose coupling	Aluminum Die Casting	21b	Sand Guard	NB
02	Handle	Rubber & AISI304SS	27	Stator	
05	Upper cover	Aluminum Die Casting	28	Rotor	Shaft: Stainless Steel
06	Up-bearing house	Cast Iron	31a	Bearing	Ball Bearing
10	Seal House	Cast Iron	31b	Bearing	Ball Bearing
11	Motor Body	Cast Iron	33	Motor Protector	
13	Pump Body	high Chrome Alloy	34	Mechanical Seal	Sic-Sic/Carbin-Sic
14	Inlet Plate	Ductile Iron	38	Shaft Sleeve	
		Optional: High Chrome Alloy	40	Camping Plate	Steel
16a	Plate	PA66+GF30	47	Cable	

Model (50/60Hz)	d	A	B	D	H	W1	N.W	G.W	Packing Dimension
	mm	mm	mm	mm	mm	mm	Kg	Kg	mm
SDV-50-60-1.5M2-V	50	180	515	240	515	80	25.5	29	590x270x285
SDV-80-60-1.5M2-V	80	190	539	240	515	80	26	29.5	615x270x285
SDV-50-60-1.5T2-V	50	180	445	240	445	80	22.5	26	520x270x285
SDV-80-60-1.5T2-V	80	190	469	240	445	80	23	26.5	545x270x285
SDV-50-60-2.2T2-V	50	180	445	240	445	80	25	28.5	520x270x285
SDV-80-60-2.2T2-V	80	190	469	240	445	80	25.5	29	545x270x285
SDV-80-60-3.7T2-V	80	224	580	285	582	90	40.5	45.5	670x310x335
SDV-100-60-3.7T2-V	100	224	605	285	582	90	41.5	46.5	670x310x335
SDV-80-60-5.5T2-V	80	224	580	285	582	90	46.5	51.5	670x310x335
SDV-100-60-5.5T2-V	100	224	605	285	582	90	47.5	52.5	670x310x335