

## Mechanical Seals suitable for Sunflo Pump Type P-2000



 Made in Germany



The medium lubricated mechanical seals type KPS2 and KPG2 are specially designed for the application in Sunflo Pumps type P-2000. Identical main dimensions with the original seals allow easy installation and interchangeability.

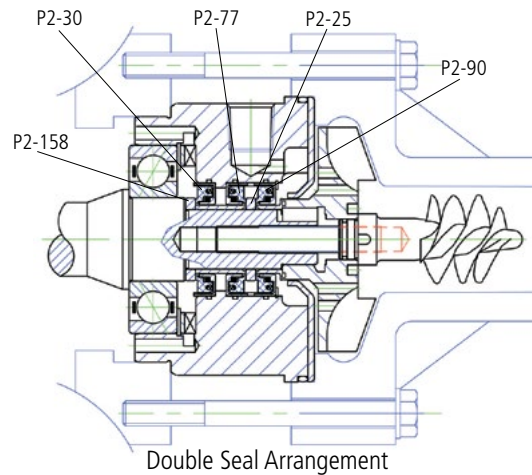
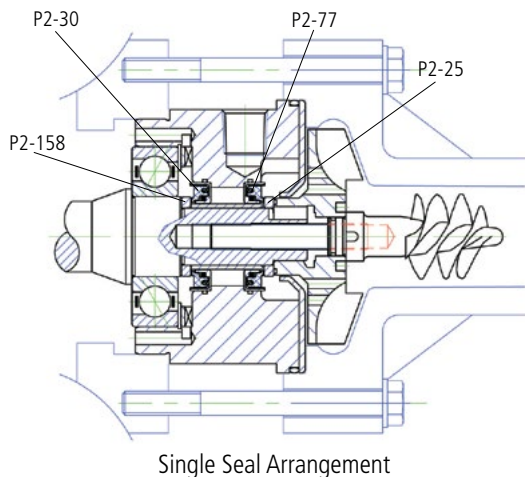
Design features:

- Multi springs
- Bi-directional
- Reverse pressure capability up to 10 barg

Two seal designs are available:

**Type KPS2 : Product seal (P2-77, P2-90)**

**Type KPG2: Gearbox seal (P2-30)**



### Operation limits

Temperature:	-40°C to + 220°C (Typ KP2S)
	-40°C to + 180°C (Typ KP2G)
Pressure:	max. 25 bar
Speed:	max. 17000 min <sup>-1</sup>

### Standard materials of construction

Seal face:	carbon, antimony impr.
	carbon, resin impr.
Springs:	stainless steel
Seal retainer:	stainless steel
O-rings:	Viton, EP-rubber, Teflon

\* further materials on request