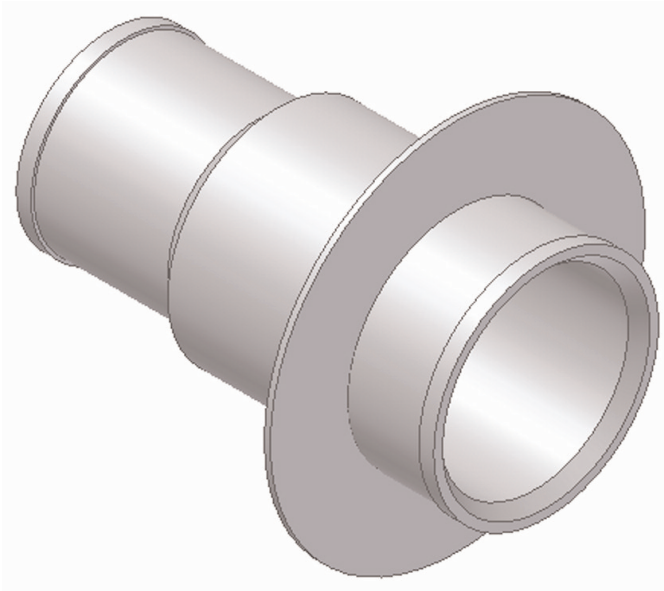
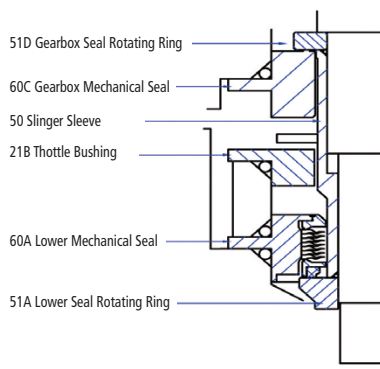


Shaft Sleeves and Rotating Seal Rings suitable for Sundyne Pumps

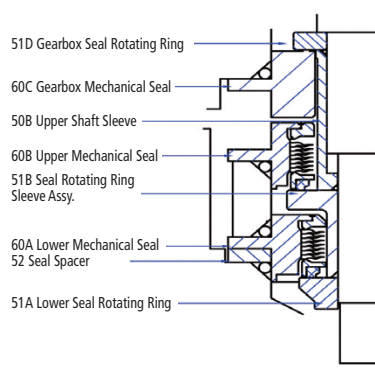


For the mechanical seal arrangements single, tandem and double **sammler cs** offers a complete range of stainless steel shaft sleeves and tungsten carbide rotating seal rings suitable for Sundyne Pumps.

Single Seal Arrangement



Tandem Seal Arrangement



Double Seal (Face to Face) Arrangement

